



## DATASHEET : DRC-xT Rope Clamp Load Cells (Black)

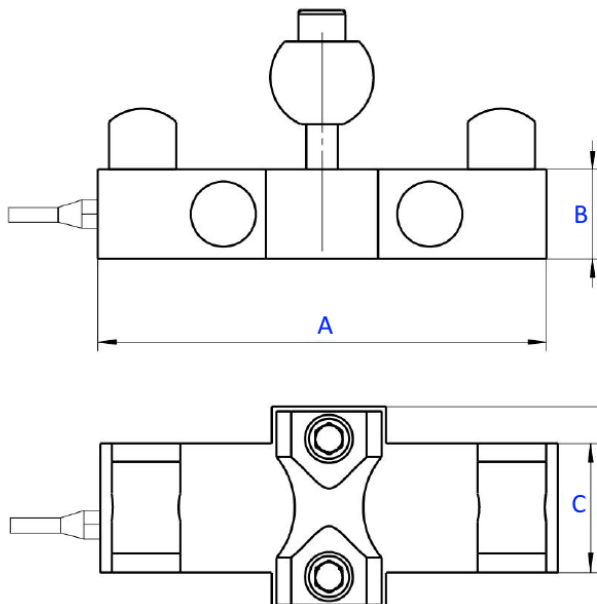


The DRC-xT range of rope clamp load cells are for measuring tension in wire ropes. These load cells have a double ended beam design and are available in 3T, 5T and 10T nominal capacities. The output signal is digital and the protocol is available on request.

DCell load cells are compatible with all SoleDigital equipment.

Featuring a 1KHz base sample rate, smart filtering and an 80Hz data rate. DCell load cells are noise immune and tolerate installation by inexperienced technicians.

### DIMENSIONS:



	A	B	C	D	Wt
<b>RC3</b>	160	28	40	60	1.8
<b>RC5</b>	200	40	55	80	3.8
<b>RC10</b>	200	40	56	88	4.1

All dimensions in mm  
and Wt (weight) are in kg



## TECHNICAL PARAMETERS:

<b>Rated Load:</b>	3T (RC-3T); 5T (RC-5T); 10T (RC-10T)
<b>Rope size:</b>	8-30mm
<b>Sensitivity:</b>	2.0±0.1% mV/V
<b>Combined Error:</b>	±0.05% F.S.
<b>Creep Error (30min):</b>	±0.02% F.S.
<b>Zero Balance</b>	±1 % F.S.
<b>Tco:</b>	±0.02% F.S./10°C
<b>Tc Span</b>	±0.02% F.S./10°C
<b>Supply Voltage:</b>	5-9VDC
<b>Supply Current:</b>	25mA
<b>Output rate</b>	80 SPS
<b>Output type</b>	RS422
<b>Baud rate</b>	4800
<b>Cable length</b>	Up to 100m
<b>Insulation Resistance:</b>	≥ 5000 Ohm
<b>Operating Temperature Range:</b>	-30 - 85°C
<b>Maximum Safe Overload:</b>	150% F.S.
<b>Ultimate Safe Overload:</b>	300% F.S.
<b>Sealing Class:</b>	IP67
<b>Element Material:</b>	Alloy Steel
<b>Country of Manufacture:</b>	China

## WIRING:

Red:	+supply
Black:	Gnd
Green:	+data
White:	-data



## INSTALLATION:

As these load cells are calibrated in situ, they do not need to be torqued up to a specific value. Instead, tighten up the clamp bolts until the back of the rope just touches the body of the load cell. If you have been supplied a spacer with your rope clamp, then tighten the bolts until the spacer fits snugly. Do not crush the rope.

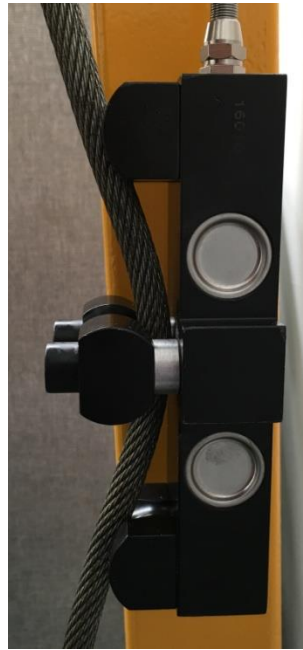


Figure 1: DRCxT installed on a rope